



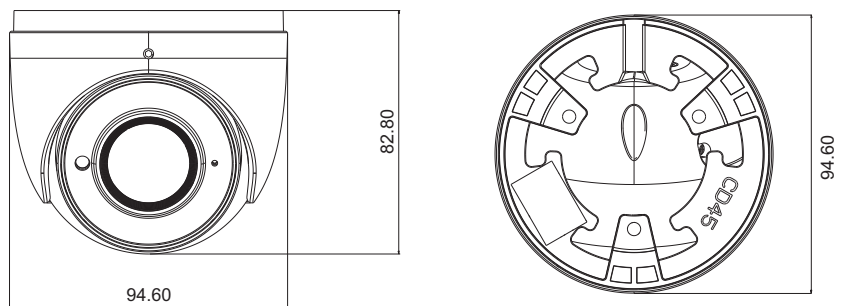
QVIS® | 2MP IR WATER-PROOF DOME CAMERA

FEATURES:

- 2MP (1920 x 1080) H.265 coding
- Max.resolution: 1920 x 1080
- ICR auto switch, true day / night, ROI coding
- 3D DNR, digital WDR, HLC, BLC, Defog
- 20~30m IR night view distance
- Support smart phone, iPad, remote monitoring
- DC12V/PoE power supply
- IP 67 ingress protection
- Support dual streams
- Smart analytics (optional): abnormal video signal detection, line crossing detection and region intrusion detection

SPECIFICATION	TURVIP-2-FG / TURVIP-2-FW
CAMERA	
Image Sensor	1 / 2.9" CMOS
Image Size	1920 × 1080
Electronic Shutter	1 / 25 s ~ 1 / 100000 s
Iris Type	Fixed Iris
Min. Illumination	0.03 lux@F2.5, AGC ON; 0 lux with IR 0.007 lux@F1.2, AGC ON; 0 lux with IR
Lens	2.8 mm @F2.0, horizontal field of view: 108.2°
Lens Mount	M12
Wide Dynamic Range	Digital WDR
BLC	Yes
HLC	Yes
Digital NR	3D DNR
Angle Adjustment	Pan: 0°~360°; Tilt:0°~75°; Rotation: 0°~360°
IMAGE	
Video Compression	H.265 / H.264 / MJPEG
H.265 Compression Standard	Main Profile@Leve 4.1 High Tier
Resolution	1080P (1920 × 1080), 720P (1280 × 720), D1, CIF, 480 × 240
Main Stream	60Hz : 1080P(1 ~ 30fps) / 720P(1 ~ 30fps) 50Hz : 1080P(1 ~ 25fps) / 720P(1 ~ 25fps)
Sub Stream	60Hz : D1/CIF/480x240 (1~30fps); 50HZ: D1/ CIF/480x240 (1~25fps)
Bit Rate	256 Kbps ~ 4Mbps
Bit Rate Type	VBR / CBR
Audio Compression	G711A / U
Image Settings	ROI, Saturation, Brightness, Chroma, Contrast, Wide Dynamic, Defog, Sharpen, NR,etc. adjustable through client software or web browser
ROI	Each ROI to be configured separately

DIAGRAM:





QVIS® | 2MP IR WATER-PROOF DOME CAMERA

FEATURES:

- 2MP (1920 x 1080) H.265 coding
- Max.resolution: 1920 x 1080
- ICR auto switch, true day / night, ROI coding
- 3D DNR, digital WDR, HLC, BLC, Defog
- 20~30m IR night view distance
- Support smart phone, iPad, remote monitoring
- DC12V/PoE power supply
- IP 67 ingress protection
- Support dual streams
- Smart analytics (optional): abnormal video signal detection, line crossing detection and region intrusion detection

SPECIFICATION cont.	TURVIP-2-FG / TURVIP-2-FW
INTERFACES	
Network	RJ45
FUNCTIONS	
Remote Monitoring	Web browsing, CMS remote control
Online Connection	Support simultaneous monitoring for up to 4 users; Support multi-stream real time transmission
Network Protocol	UDP, IPv4, IPv6, DHCP, NTP, RTSP, PPPoE, DDNS, SMTP, 802.1x, UPnP, HTTPs, QoS
Interface Protocol	ONVIF, GB-T/28181-2011
Storage	Network remote storage
Smart Alarm	Motion detection
Intelligent Analytics	Abnormal video signal detection, line crossing detection and region intrusion detection optional
General function	Watermark, IP address filtering, video mask, heartbeat, password protection
PoE	Yes
IR Distance	20 ~ 30 m
Ingress Protection	IP67
OTHERS	
Power Supply	DC12V/PoE
Power Consumption	< 5W
Operating Environment	- 30 °C ~ 60 (-22 °C °F~140°F) Humidity: less than 95% (non-condensing)
Dimensions (mm)	Φ 94.6 × 82.8
Weight (net)	Approx. 0.46KG
Installation	Ceiling mounting (Wall mounting available with the junction box and bracket)